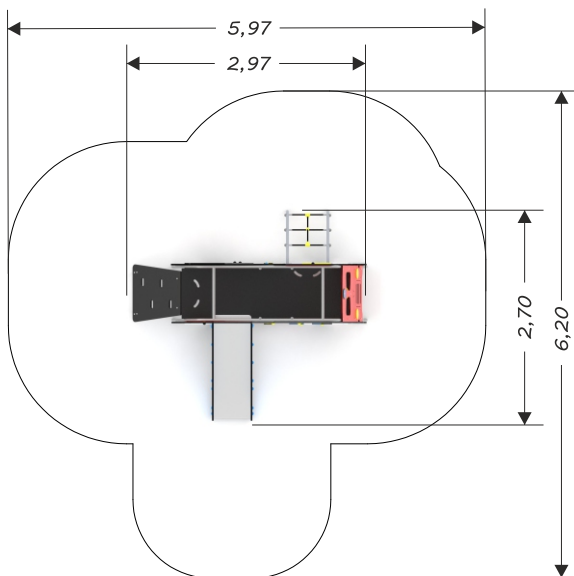


TOPICCO 3104

FIRE TRUCK

| Device Specifications | |
|-----------------------------------|----------------------|
| Safety zone | 26,74 m ² |
| Length | 2,97 m |
| Width | 2,70 m |
| Total height | 2,10 m |
| Free fall height | 0,9 m |
| Age range | 3-12 yrs |
| In accordance w/ EN standards | 1176-1:2009 |
| Availability of spare parts | Yes |
| Weight of the heaviest part [kg] | 100 |
| Dimension of the biggest part [m] | 1,9x2,5x0,07 |

Minimal space



MATERIAL SPECIFICATION

- Platform made of waterproof anti-skidding plates
- Other elements made out of atmospheric condition resistant HDPE polythene plates
- No sharp edges or chinks that would pose a danger for jamming of the head, fingers and other body parts
- All screws covered with colorful plastic caps
- Galvanized and/or powder coated steel construction

ADDITIONAL COMMENTS

- The device is certified by an accreditation organization
- Embedded 0/5/55 cm deep in flat ground
- The device is designed for public playgrounds

Due to the free fall height of the device, the EN 1176-1:2009 standard allows the following surfaces to cushion a fall. The level of granular materials requires filling in, conservation of synthetic materials is required in accordance with the manufacturer's instructions. Dimensions of the foundation are described in installation instruction.

| Material | Description [mm] | Minimal layer thickness [mm] | Dimensions foundation |
|---------------------|--------------------------|------------------------------|-----------------------|
| Turf/Soil | | | A,B,C |
| Tree bark | Grain size from 20 to 80 | 300 | A, C |
| Chip | Grain size from 5 to 30 | 300 | A, C |
| Sand | Grain size from 0,2 to 2 | 300 | A, C |
| Gravel | Grain size from 2 to 8 | 300 | A, C |
| Synthetic materials | Free fall approval ≥900 | | A,B,C |



Vinci-play playground and outdoor fitness manufacturer